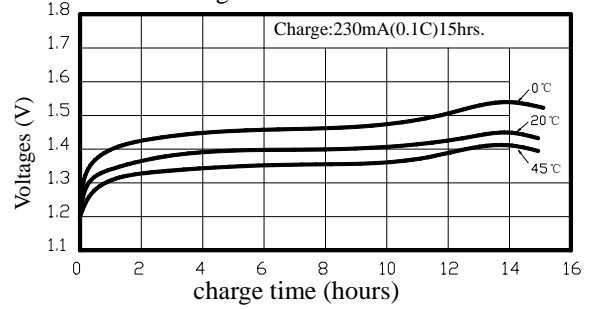


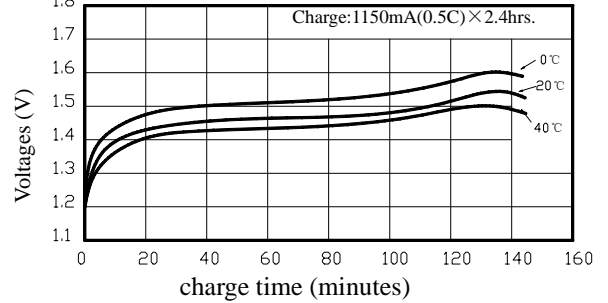
TYPE: MH-AA2300mAh(Button)  
Specifications

Nominal voltage		1.2V	
Capacity		0.2C Discharge	1.0C Discharge
	Minimum	2070mAh	1970
	Typical	2300mAh	2200
Dimensions		mm	inch
	Diameter	14.5 <sup>-0.7</sup>	0.55 <sup>-0.028</sup>
	Height	49.0 <sup>-1.0</sup>	1.90 <sup>-0.039</sup>
Weight(Approximately)		Grams	Ounces
		30	1.05
Internal Impedance At 1000 Hz		25mΩ(Max) (After Charge)	
Charge	Standard	230mA(0.1C)×15hrs	
	Rapid	1150mA(0.5C)×2.4hrs	
Ambient temperature	Charge	°C	°F
		standard	0°C to 45°C 32°F to 113°F
	Rapid	10°C to 40°C 50°F to 104°F	
	Discharge	-20°C to 65°C -4°F to 149°F	
storage		-20°C to 45°C -4°F to 113°F	

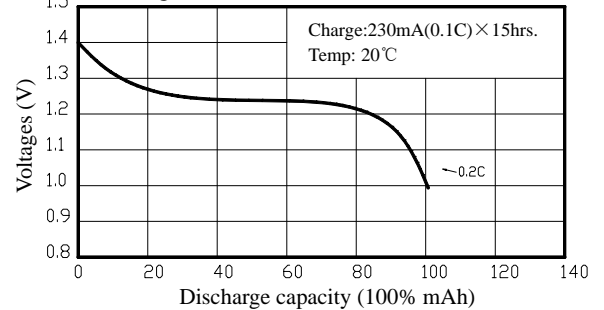
Typical characteristics  
Standard charge characteristics



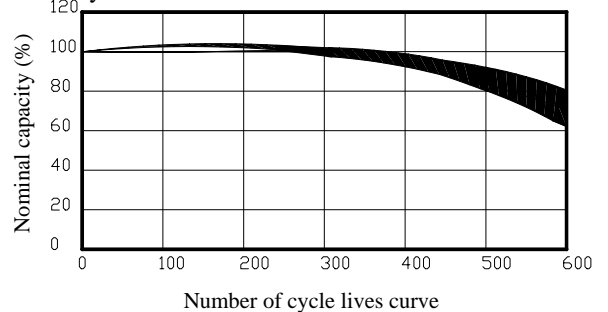
Rapid charge characteristics



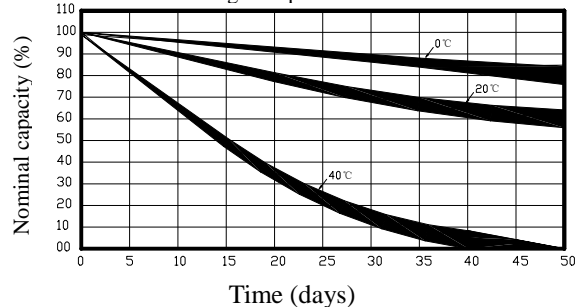
Discharge characteristics



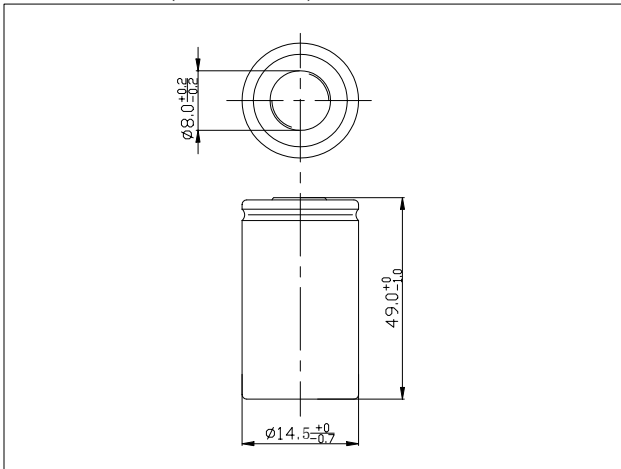
Cycle life characteristics



Charge retention curves of Ni-MH cylindrical cell  
At various storage temperatures



Dimension (with tube) (mm)



**Note:**

1. After charging at 0.1C for 15hours.
2. Nominal capacity rated at 0.2C 20°C.
3. Average capacity for reference only.
4. Weight and internal impedance are for reference.
5. Standard according as IEC of test cycle lives.